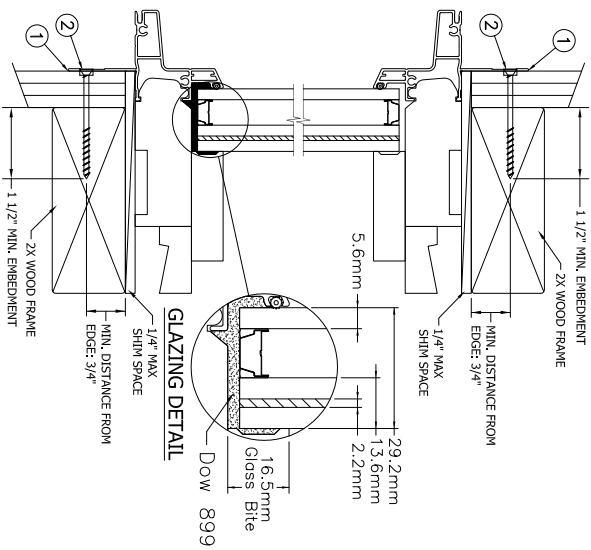


TYPICAL ELEVATION WITH FASTENER SPACING

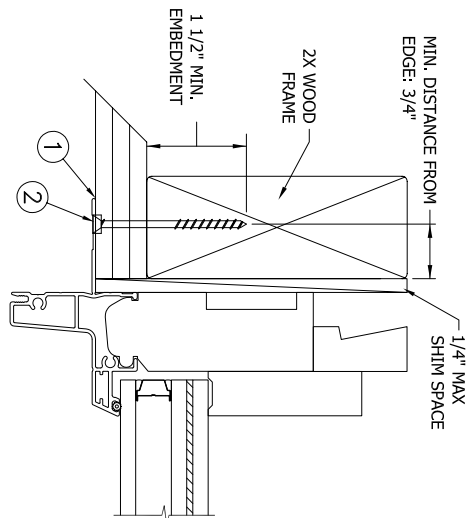


CLAD FRAME SECTION (TYP)
VERTICAL SECTION

NOTE: Caulk between Nailing Flange & Wood Opening.



NAIL FIN INSTALLATION



FRAME JAMB SECTION (TYP)
HORIZONTAL SECTION

NOTE: Caulk between Nailing Flange & Wood Opening.

Max Frame	DP Rating	Impact
84" X 84"	+50/-65	YES

Installed Fastener Schedule:

1. Seal flange/frame to substrate.
2. All windows: Install corrosion resistant #8 fasteners no more than 4" from each corner and 8" o.c. through the nail fins on all sides of the window. Fasteners must be long enough to penetrate at least 1 1/2" into framing members.
3. Host structure (wood buck, stud framing and opening) to be designed and anchored to properly transfer all loads to the structure. The host structure is the responsibility of the architect or engineer of record for the project of installation.

General Notes:

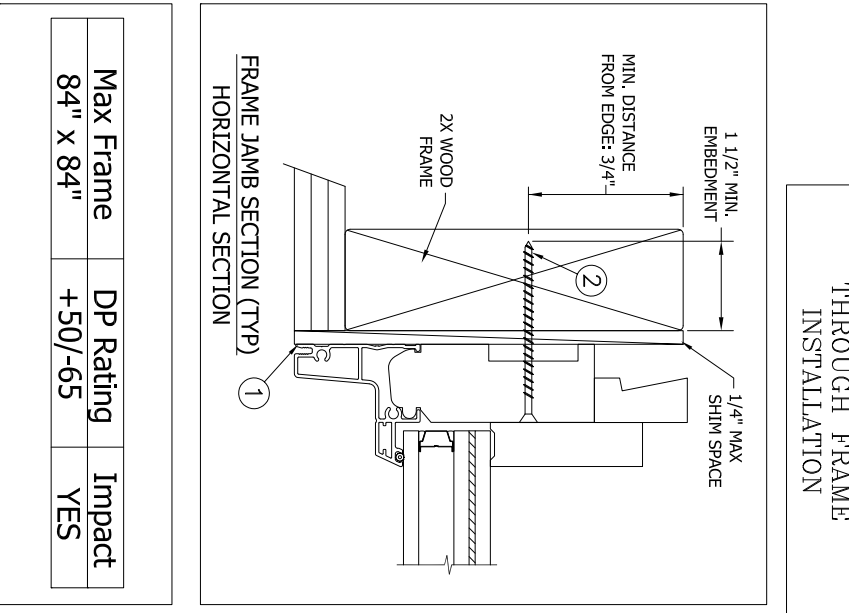
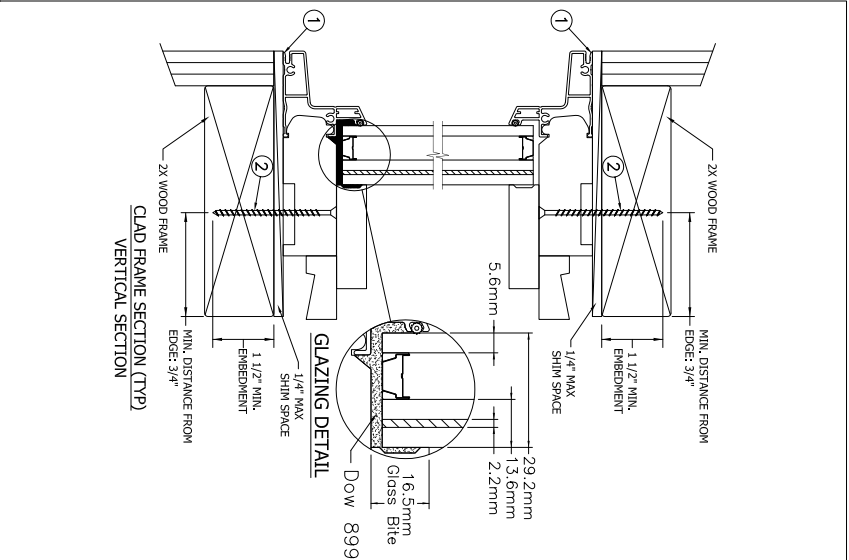
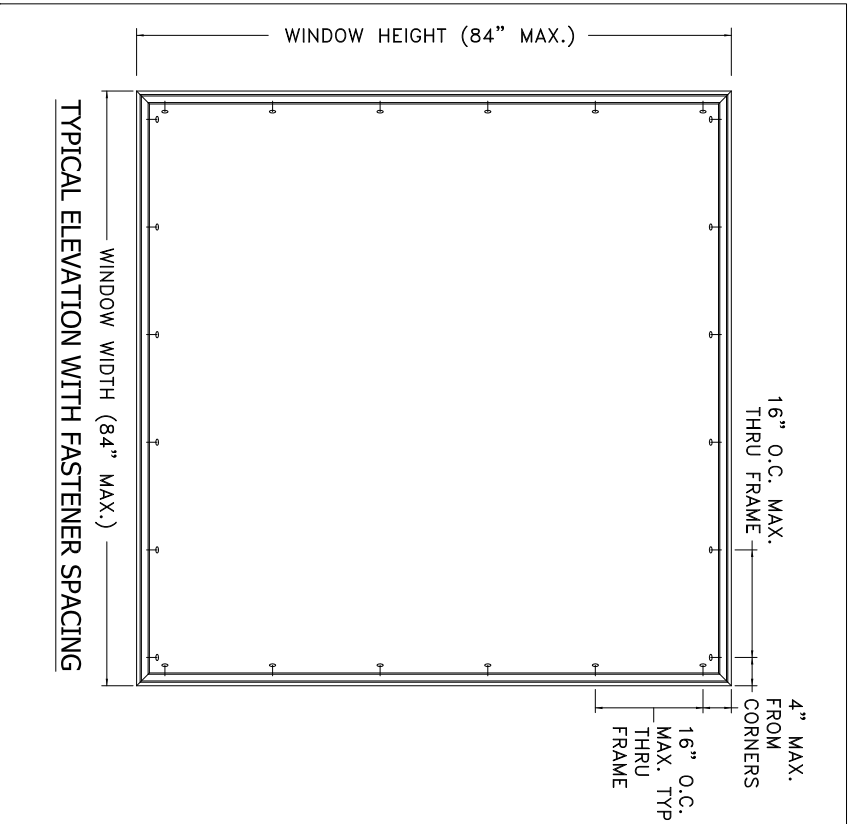
1. The product shown herein is designed, tested and manufactured to comply with the wind load criteria of the adopted International Building Code (IBC), the International Residential Code (IRC), the Florida Building Code (FBC) and the industry standard requirement for the stated conditions.
2. Buck, framing and masonry by others and is responsibility of architect or engineer of record.
3. All glazing shall conform to ASTM E1300.
4. At minimum, glazing shall be 5.7 mm annealed - 10.0 mm airspace - 5.7 mm annealed - 2.2 mm SGP Interlayer by DuPont - 5.7 mm annealed insulating glass.

This schedule addresses only the fasteners required to anchor the window to achieve the rated design pressure up to the size limitations noted. It is not intended as a guide to the installation process and does not address the sealing consideration that may arise in different wall conditions. For the complete installation procedure, see the instructions packaged with the door or go to www.jeld-wen.com.

DISCLAIMER:

This drawing and its contents are confidential and are not to be reproduced or copied in whole or in part or used or disclosed to others except as authorized by JELD-WEN Inc.

PROJECT ENGINEER: --	DATE: 11/09/2015		
DRAWN BY: D. Vezo	SCALE: NTS		
CHECKED BY: K. Campbell	TITLE: Siteline Clad Direct Set Impact Window	3737 Lakeport Blvd Klamath Falls, OR, 97601 Phone: (800) 535-3936	
APPROVED BY: D. Stokes		CAD DWG. No.:	REV.:
PART/PROJECT No.:			SHEET
IDENTIFIER No.:			
PLANT NAME AND LOCATION: Rantoul, IL			
IDENTIFIER No.:			



Max Frame	DP Rating	Impact
84" X 84"	+50/-65	YES

Installed Fastener Schedule:

1. Seal flange/frame to substrate.
2. All windows: install corrosion resistant #8 fasteners no more than 4" from each corner and 16" o.c. through the frame on all sides of the window. Fasteners must be long enough to penetrate at least 1 1/2" into framing members.
3. Host structure (wood buck, stud framing and opening) to be designed and anchored to properly transfer all loads to the structure. The host structure is the responsibility of the architect or engineer of record for the project of installation.

General Notes:

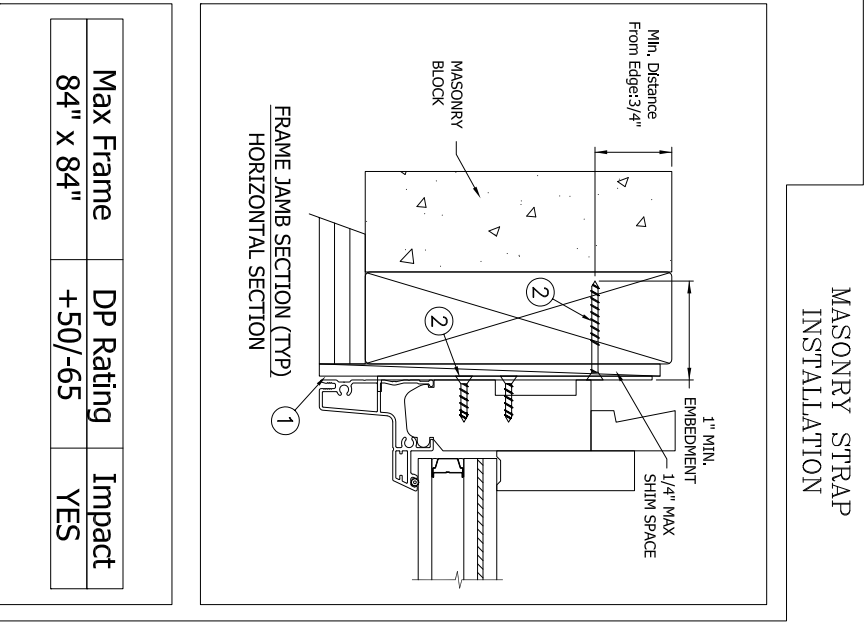
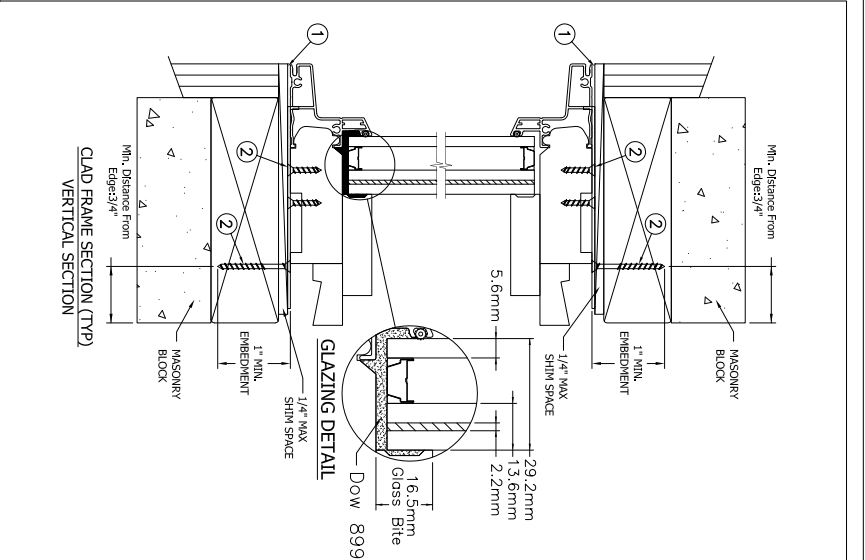
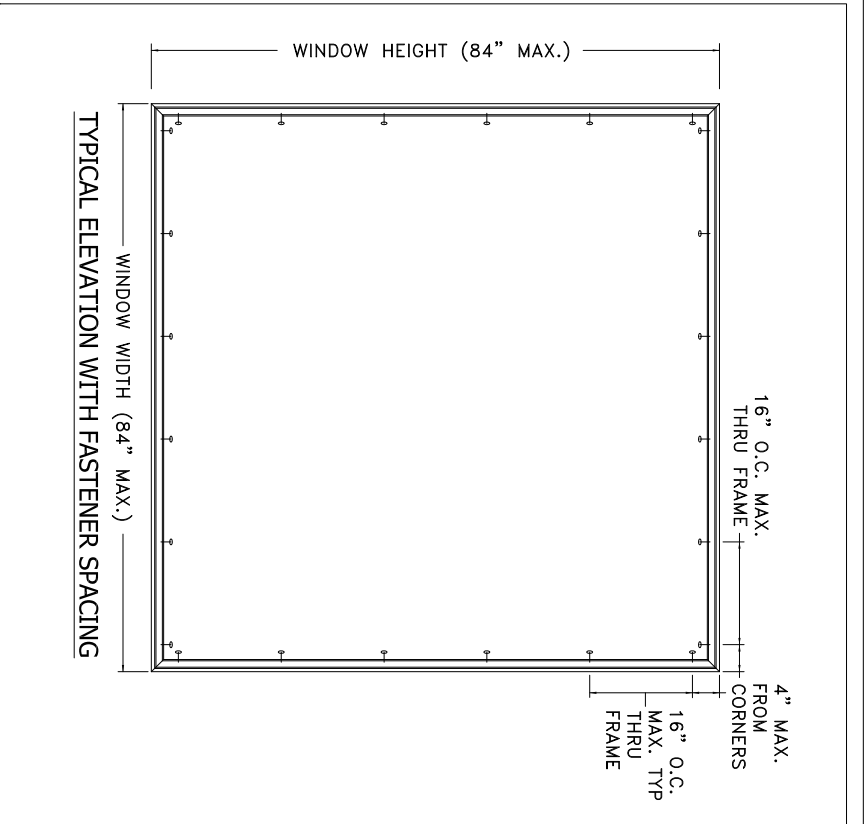
1. The product shown herein is designed, tested and manufactured to comply with the wind load criteria of the adopted International Building Code (IBC), the International Residential Code (IRC), the Florida Building Code (FBC) and the industry standard requirement for the stated conditions.
2. Buck, framing and masonry by others and is responsibility of architect or engineer of record.
3. All glazing shall conform to ASTM E1300.
4. At minimum, glazing shall be 5.7 mm annealed - 10.0 mm airspace - 5.7 mm annealed - 2.2 mm SGP Interlayer by DuPont - 5.7 mm annealed insulating glass.

This schedule addresses only the fasteners required to anchor the window to achieve the rated design pressure up to the size limitations noted. It is not intended as a guide to the installation process and does not address the sealing consideration that may arise in different wall conditions. For the complete installation procedure, see the instructions packaged with the door or go to www.jeld-wen.com.

DISCLAIMER:

This drawing and its contents are confidential and are not to be reproduced or copied in whole or in part or used or disclosed to others except as authorized by JELD-WEN Inc.

PROJECT ENGINEER: --	DATE: 11/09/2015	<p>3737 Lakeport Blvd Klamath Falls, OR, 97601 Phone: (800) 535-3936</p>	
DRAWN BY: D. Vezo	SCALE: NTS		
CHECKED BY: K. Campbell	TITLE: Siteline Clad Direct Set Impact Window	<p>IDENTIFIER NO. SW2015-075</p>	
APPROVED BY: D. Stokes	PLANT NAME AND LOCATION: Rantoul, IL		
PART/PROJECT No.:	CAD DWG. No.:		
<p>D013273</p>		REV.:	SHEET



Max Frame	DP Rating	Impact
84" X 84"	+50/-65	YES

Installed Fastener Schedule:

1. Seal flange/frame to substrate.
2. Install masonry straps to wood frame using #8 corrosion resistant fasteners no more than 4" from each corner and 16" o.c. along the frame. Bend straps around buck and secure with #8 fastener thru masonry strap into buck. Fasteners must be long enough to penetrate at least 1" into framing members.
3. Host structure (wood buck, stud framing and opening) to be designed and anchored to properly transfer all loads to the structure. The host structure is the responsibility of the architect or engineer of record for the project of installation.

General Notes:

1. The product shown herein is designed, tested and manufactured to comply with the wind load criteria of the adopted International Building Code (IBC), the International Residential Code (IRC), the Florida Building Code (FBC) and the industry standard requirement for the stated conditions.
2. Buck, framing and masonry by others and is responsibility of architect or engineer of record.
3. All glazing shall conform to ASTM E1300.
4. At minimum, glazing shall be 5.7 mm annealed - 10.0 mm airspace - 5.7 mm annealed - 2.2 mm SGP Interlayer by Dupont - 5.7 mm annealed insulating glass.

This schedule addresses only the fasteners required to anchor the window to achieve the rated design pressure up to the size limitations noted. It is not intended as a guide to the installation process and does not address the sealing consideration that may arise in different wall conditions. For the complete installation procedure, see the instructions packaged with the door or go to www.jeld-wen.com.

DISCLAIMER:

This drawing and its contents are confidential and are not to be reproduced or copied in whole or in part or used or disclosed to others except as authorized by JELD-WEN Inc.

PROJECT ENGINEER: --	DATE: 11/09/2015		
DRAWN BY: D. Vezo	SCALE: NTS		
CHECKED BY: K. Campbell	TITLE: Stiteline Clad Direct Set Impact Window	3737 Lakeport Blvd Klamath Falls, OR, 97601 Phone: (800) 535-3936	
APPROVED BY: D. Stokes			
PART/PROJECT No.:			
D013273			
IDENTIFIER No.:	PLANT NAME AND LOCATION:	CAD DWG. No.:	REV.:
SWJ2015-075	Rantoul, IL		
			SHEET